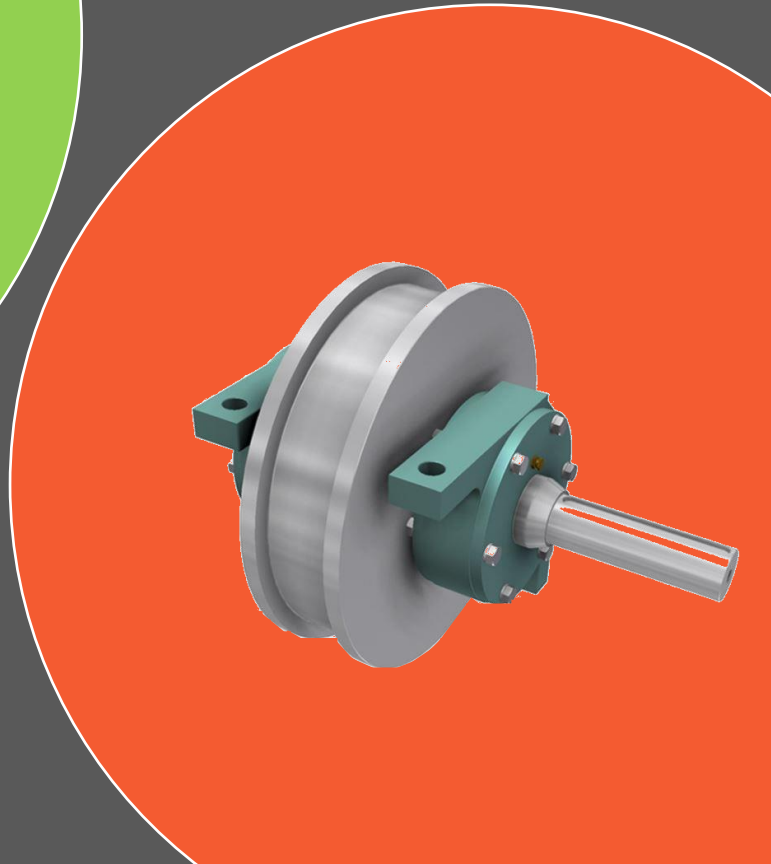
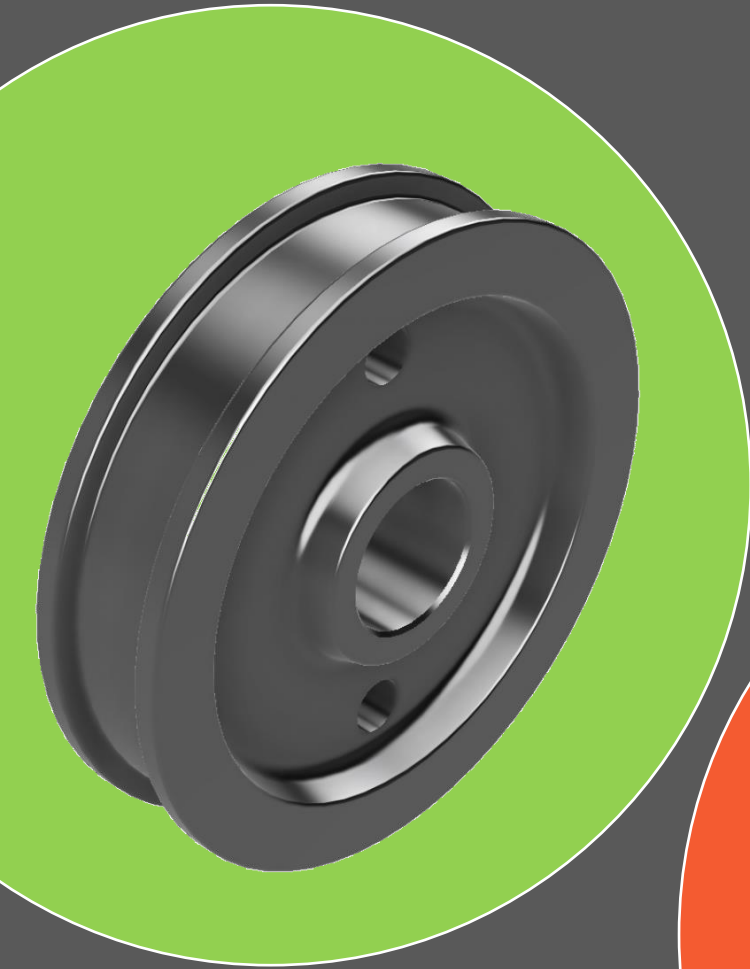




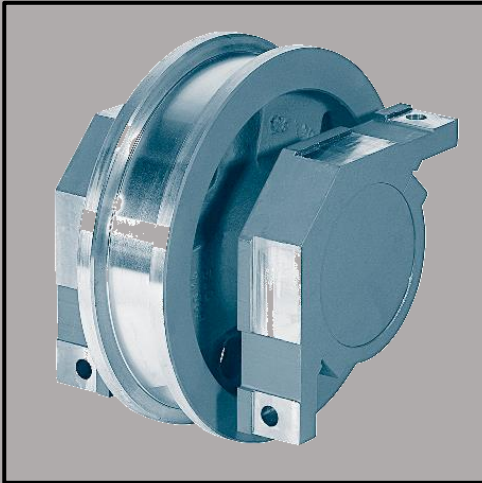
شرکت پیمانکر ماریسان اسنادانا



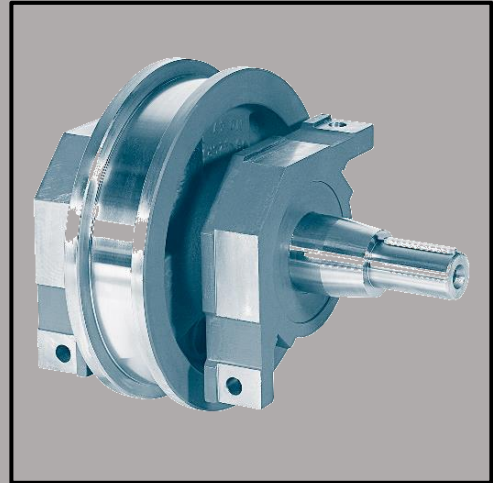
www.mpnpco.com
co.mpnp2@gmail.com



PNP



Crane Wheel With Idle Shaft



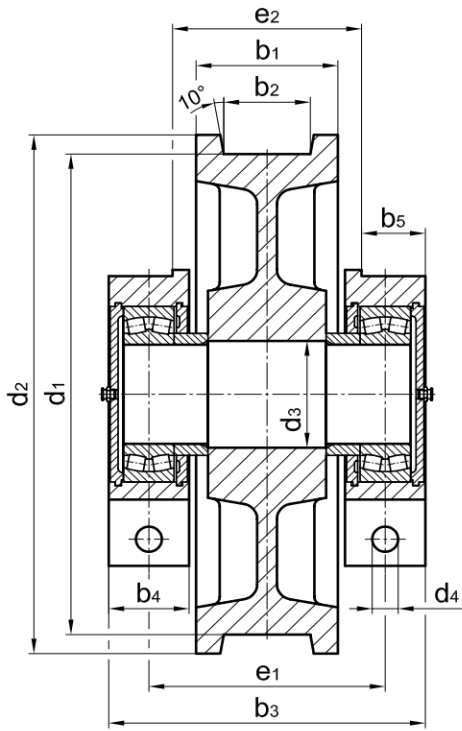
Crane Wheel With Drive Shaft

Material:

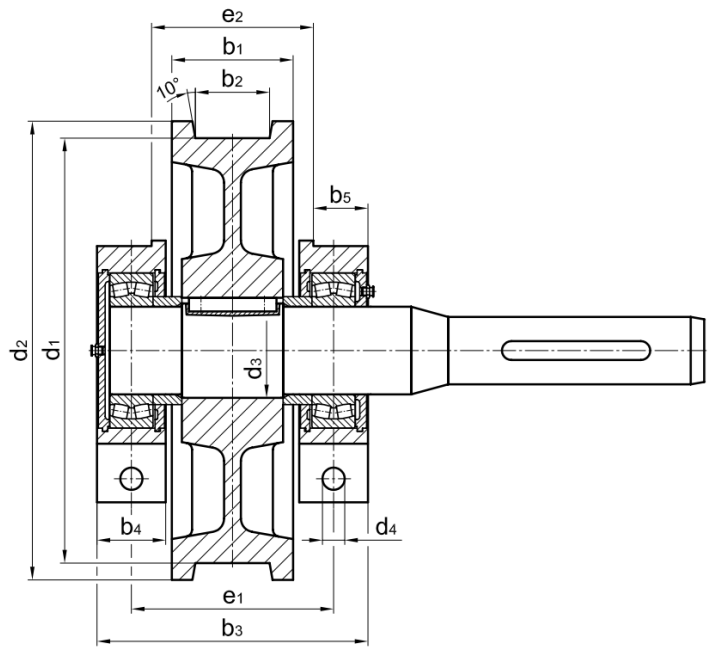
- Wheel Body: 1.7225 (42CrMo4)
- Shaft: 1.7225 (42CrMo4)
- Housing: 1.0553 (S355J0)
- Other parts (Caps and Disk): 1.0553 (S355J0)

Note:

Materials and dimensions can be customized by client.



Type A



Type B

| d_1 h9 | Type | b_2 | b_1 | b_3 | b_4 | b_5 | d_2 | d_3 m6 | d_4 | e_1 | e_2 | tolerance |
|-------------|-------------|---------|-------|-------|-------|-------|-------|-------------|-------|-------|-------|-----------|
| 320 | A & B | 40-70 | 100 | 330 | 90 | 72.5 | 350 | 90 | 23 | 240 | 185 | ±0.6 |
| | | 80-90 | 130 | | | | | | | | | |
| 400 | A & B | 50-80 | 120 | 330 | 80 | 62.5 | 440 | 105 | 23 | 250 | 205 | ±0.6 |
| | | 90-120 | 160 | | | | | | | | | |
| 500 | A & B | 50-80 | 120 | 345 | 85 | 67.5 | 540 | 115 | 27 | 260 | 210 | ±0.6 |
| | | 90-20 | 160 | | | | | | | | | |
| 630 | A & B | 60-90 | 140 | 400 | 100 | 80 | 680 | 140 | 33 | 300 | 240 | ±0.6 |
| | | 100-130 | 180 | | | | | | | | | |
| 710 | A & B | 60-80 | 140 | 435 | 105 | 85 | 760 | 150 | 33 | 330 | 265 | ±0.8 |
| | | 90-130 | 180 | | | | | | | | | |
| 800 | A & B | 80-90 | 160 | 470 | 120 | 92.5 | 850 | 160 | 33 | 350 | 285 | ±0.8 |
| | | 100-130 | 200 | | | | | | | | | |
| 900 | A & B | 90-110 | 190 | 510 | 130 | 102.5 | 950 | 190 | 39 | 380 | 305 | ±0.8 |
| | | 120-150 | 210 | | | | | | | | | |